

121ASY

EQUIPTO

SLIDE LOCK FOR CABINETS

ASSEMBLY INSTRUCTIONS

READ INSTRUCTIONS BEFORE ASSEMBLING

Toll-Free Tel: 800-323-0801 Toll-Free Fax: 888-859-2121

www.equipto.com

©EQUIPTO 2008

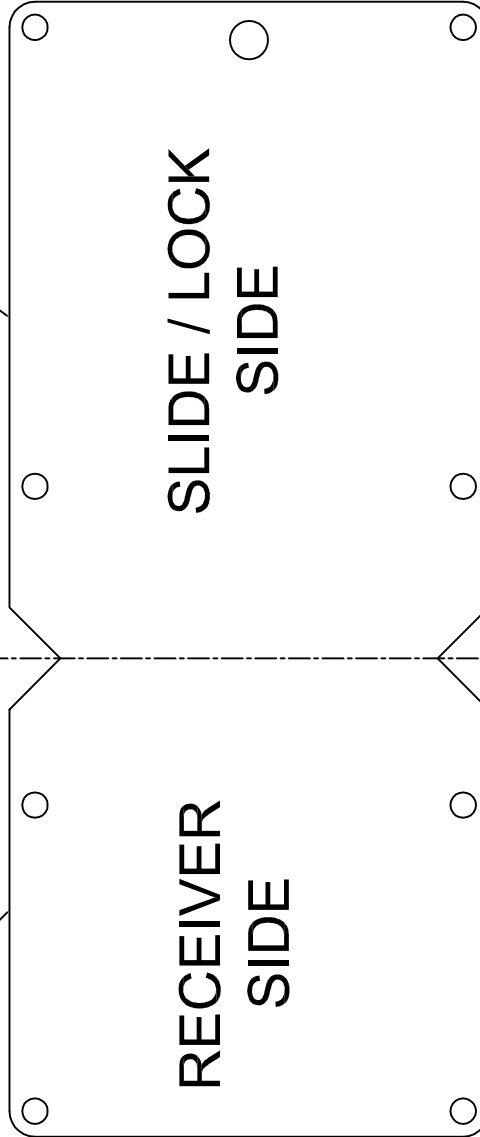
1. READ ALL DIRECTIONS BEFORE STARTING ASSEMBLY.
2. DRILL $1\frac{1}{32}$ " Ø MOUNTING HOLES USING SUPPLIED TEMPLATE. FOLLOW INSTRUCTIONS ON PAGE 3 FOR USE.
3. MOUNT SLIDE LOCK USING APPROPRIATE DIRECTIONS FROM PAGES 4 AND 5.

REVISIONS					
REV	ECN #	DESCRIPTION	DATE	INIT.	CHECK BY
A	#####	Issued	###/###/##	INIT.	INIT.

Center Gap Between
Doors In V Top and
Bottom

Level This
Edge

Keep this Edge a
Minimum of 6"
From Door Handle
For 1734 & 1735
Cabinets



1) POSITION TEMPLATE

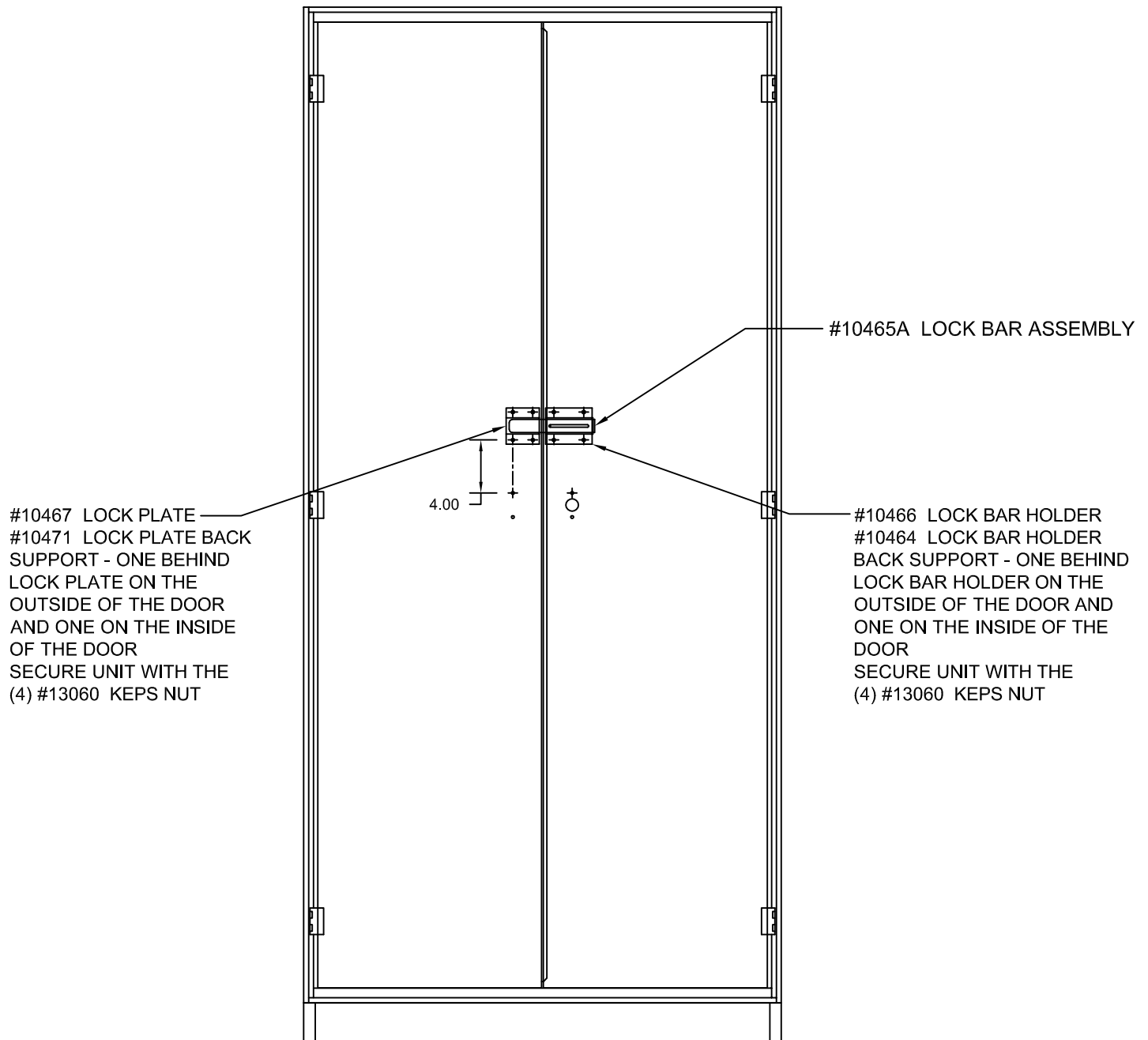
2) MARK THRU 1/8 Ø HOLES.

3) REMOVE TEMPLATE AND
DRILL 1 1/32 Ø HOLES AT
MARKS.

Keep this Edge a
Minimum of 4" From
Door Handle for 1700
Series Cabinets

ITEM	QTY.	PART #	DESCRIPTION
<small>THIS DRAWING IS THE PROPERTY OF Consolidated Storage Companies, Inc. TAYLOR, PA 15085 © 2001 CONSOLIDATED STORAGE COMPANIES, INC.</small>			
<small>CONFIDENTIAL: This document and all information contained herein is the property of Consolidated Storage Companies, Inc. and may not be disclosed to unauthorized persons or reproduced by any means, or used for any means, or used for any purpose other than that submitted without express written permission from Consolidated Storage Companies, Inc.</small>			
<small>TOLERANCES AS NOTED</small>			
FRACTIONS:		1/64	
.XXX		0.02	
.XXXZ		0.005	
ANGLES:		1.0°	
PART NUMBER:	10472	DRAWING NUMBER:	10472
SCALE:		REVISION:	A
DIM. SIZE:		SCALE:	1:1
SHEET:		A	
SHEET:		1 OF 1	
<small>TITLE: Slide Lock Template 5-9/16" x 3-11/32" x 22 GA.</small>			

STORAGE CABINETS



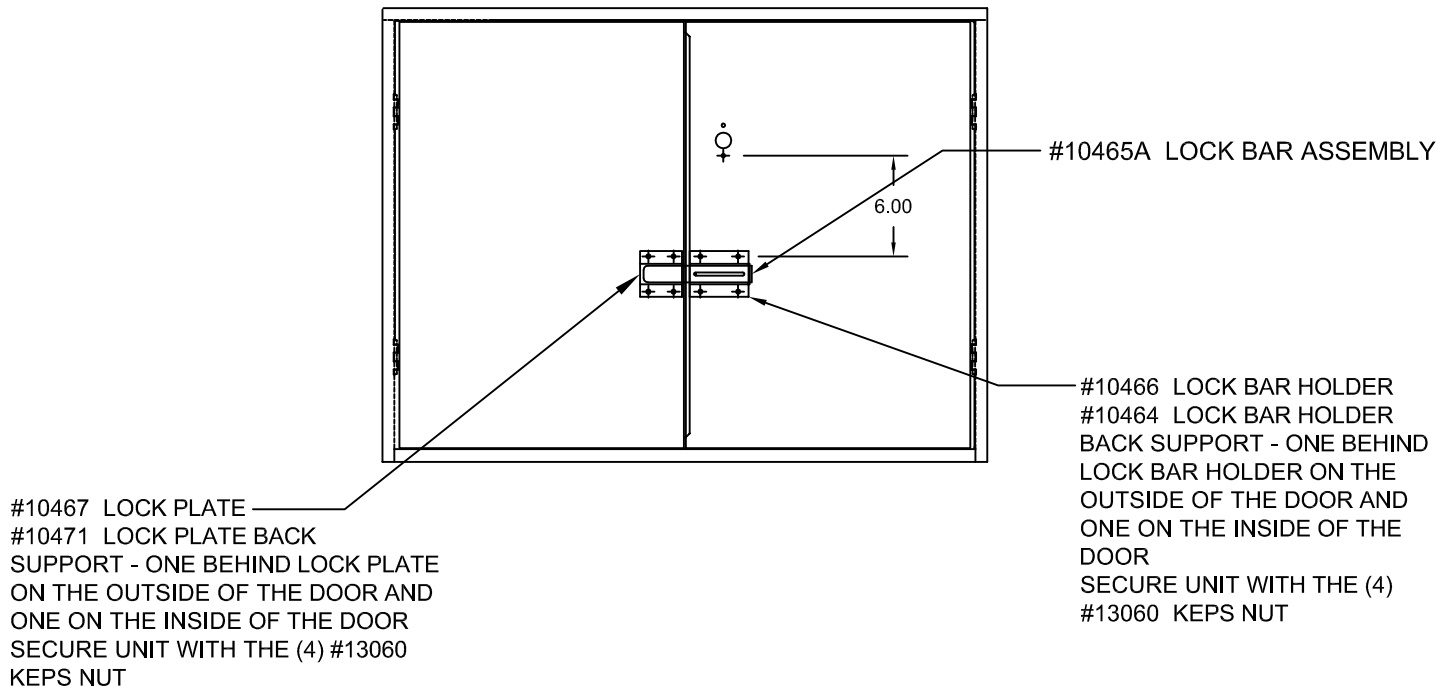
INSTRUCTIONS

FOR MOUNTING ABOVE DOOR HANDLE

1. DRILL MOUNTING HOLES USING TEMPLATE - PAGE 3.
2. INSTALL SLIDE LOCK ASSEMBLY PER ABOVE ILLUSTRATION.

HANDY CABINETS

#1734 & #1735



INSTRUCTIONS

FOR MOUNTING BELOW DOOR HANDLE

1. DRILL MOUNTING HOLES USING TEMPLATE - PAGE 3.
2. INSTALL SLIDE LOCK ASSEMBLY PER ABOVE ILLUSTRATION.